



# AeroStrike

## Order and Installation Manual

For models from May 2019 onwards



### **Rugged Interactive**

Unit 1, Callywith Court  
Callywith Industrial Estate, Bodmin  
Cornwall, UK  
PL231 2RQ

+44 (0) 1726 981 123  
[www.rugged-interactive.co.uk](http://www.rugged-interactive.co.uk)  
[hello@rugged-interactive.co.uk](mailto:hello@rugged-interactive.co.uk)

Updated: 31/07/2023



**Rugged Interactive**  
Unit 1, Callywith Court  
Callywith Industrial Estate, Bodmin  
Cornwall, UK  
PL31 2RQ

+44 (0) 1726 981 123  
[www.rugged-interactive.co.uk](http://www.rugged-interactive.co.uk)  
[hello@rugged-interactive.co.uk](mailto:hello@rugged-interactive.co.uk)

# Contents

---

## **Section 1 – Ordering Process**

- 1.1 Need to Know
- 1.2 Order and Installation Checklist
- 1.3 Product Overview
- 1.4 Ordering and Installation Timeline
- 1.5 Getting Started
- 1.6 Place Order

## **Section 2 – Safety Guidelines**

- 2.1 Installation Safety Guidelines
- 2.2 In Play Safety Guidelines

## **Section 3 – Installation**

- 3.1 Parts List
- 3.2 Tools and Components List
- 3.3 Installation Overview
- 3.4 Detailed Installation

## **Section 4 – How to Use**

## **Section 5 – Programs Guide**

**AeroStrike System Specifications**

**AeroStrike Installation Checklist**

**Next Steps**



## Rugged Interactive

Unit 1, Callywith Court  
Callywith Industrial Estate, Bodmin  
Cornwall, UK  
PL31 2RQ

+44 (0) 1726 981 123

[www.rugged-interactive.co.uk](http://www.rugged-interactive.co.uk)

[hello@rugged-interactive.co.uk](mailto:hello@rugged-interactive.co.uk)

# Section 1 – Ordering Process

---

## 1.1 - Need to Know

### Installation manual purpose and limitations

This manual is intended to provide guidance only, the installation of the Rugged Interactive product will be under your control. You will be responsible for making sure, upon completion of the installation, it is safe to use. As always, we are here to support you, please get in touch if you are in any doubt.

### Regulations

Some countries and states have regulations which may be applicable to the Rugged Interactive products, it is your responsibility to check that the product complies with such regulations. This should be conducted during the planning phase for the installation location.



## Rugged Interactive

Unit 1, Callywith Gate  
Callywith Industrial Estate, Bodmin  
Cornwall, UK  
PL31 2RQ

+44 (0) 1726 981 123

[www.rugged-interactive.co.uk](http://www.rugged-interactive.co.uk)

[hello@rugged-interactive.co.uk](mailto:hello@rugged-interactive.co.uk)

## 1.2 - Order and Installation Checklist

---

- Contact the Rugged Interactive sales team or a partner / distributor to begin the process.
- Confirm the invoice and delivery address along with date required (lead time is at least 5 weeks), VAT number required for export customers.
- Complete site survey.
- Send purchase order or confirm order.
- Make first payment.
- Discuss graphic requirements and provide logos and branding guidelines.
- Approve graphics.
- Make second payment (required a week before dispatch).
- Schedule time and team members for installation.
- Before install, confirm all tools and components are prepared.
- Organise shipment (Customer collection or delivery organised by Rugged Interactive).
- Receive your order.
- Install the product.
- Test and complete installation checklist.
- Train the team on how to use the product.
- Sounds can be heard when the targets are hit.
- Reveal your new Rugged Interactive product to your guests and customers!



**Rugged Interactive**  
Unit 1, Callywith Gate  
Callywith Industrial Estate, Bodmin  
Cornwall, UK  
PL31 2RQ

+44 (0) 1726 981 123  
www.rugged-interactive.co.uk  
hello@rugged-interactive.co.uk

## 1.3 - AeroStrike Overview

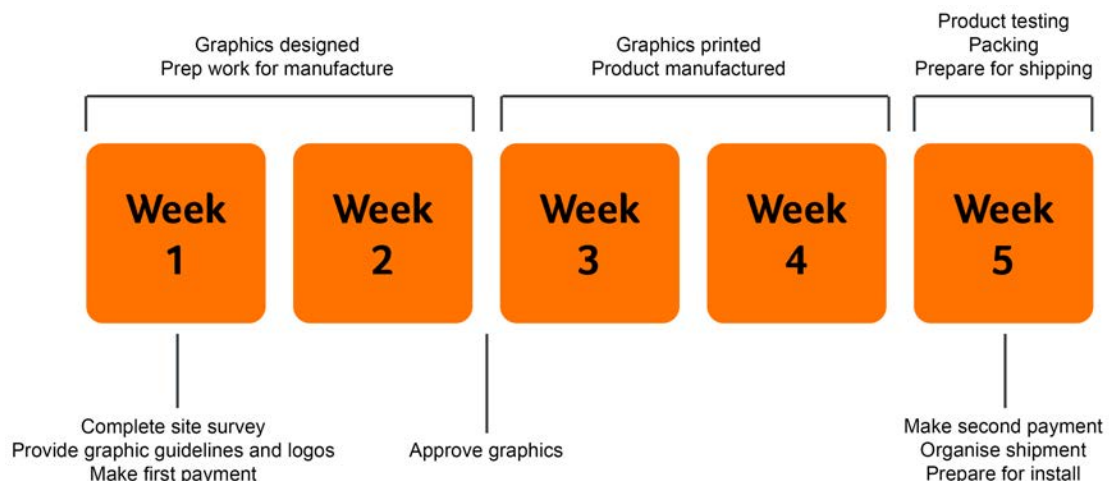
An interactive all-action, high-tech, high-tempo target game. Perfect for 1v1 duels that will test your stamina, timing and accuracy. Score points for every goal scored as you aim to beat your opponent.

Brightly lit targets will flash and make exciting sounds when a point is scored. AeroStrike brings cage ball or shooting galleries to life.

AeroStrike consists of 2 or 4 x targets, 1 x scorebox, 1 x start button with all cables supplied. It is quick and easy to install to any suitable structure.



## 1.4 - Order and Installation Timeline



\* We do our best to ensure orders are ready on a five-week lead time, however during busy periods or for large orders, the lead time may be longer than outlined here. Lead time will also be affected by graphics guidelines, approval and payment delays.



## Rugged Interactive

Unit 1, Callywith Court  
Callywith Industrial Estate, Bodmin  
Cornwall, UK  
PL31 2RQ

+44 (0) 1726 981 123

[www.rugged-interactive.co.uk](http://www.rugged-interactive.co.uk)

[hello@rugged-interactive.co.uk](mailto:hello@rugged-interactive.co.uk)

## 1.5 - Getting Started

---

### New Parks

During the design process for the new park, incorporate the intended products into the design, product specifications can be found within this manual for the relevant product and CAD files can be supplied upon request.

### Existing Parks

When retrofitting existing parks, all specifications can be found within this manual or CAD files are available at request. If further information is required, please get in touch and we will be able to provide further information and guidance.

## 1.6 - Place Order

---

To begin the order process with Rugged Interactive:

Email:

[Sales@rugged-interactive.co.uk](mailto:Sales@rugged-interactive.co.uk)

Or call the Sales Office:

+44 (0) 7585 955 184

**HQ/Production Address:**

Unit 1 Callywith Court  
Callywith Ind. Estate,  
Bodmin,  
Cornwall  
UK  
PL31 2RQ

**Sales Office Address:**

Rugged Interactive,  
Future Space,  
UWE North Gate,  
Filton Road,  
Bristol,  
UK  
BS34 8RB



**Rugged Interactive**  
Unit 1, Callywith Court  
Callywith Industrial Estate, Bodmin  
Cornwall, UK  
PL31 2RQ

+44 (0) 1726 981 123  
[www.rugged-interactive.co.uk](http://www.rugged-interactive.co.uk)  
[hello@rugged-interactive.co.uk](mailto:hello@rugged-interactive.co.uk)

## Section 2 - Safety Guidelines

---

### 2.1 Installation Safety Guidelines

Before installing any Rugged Interactive product, please read the following:

#### Dos:

- Ensure that a Site Survey form has been completed prior to installation.
- Have ready suitable equipment, tools and/or man power.
- Observe correct manual handling techniques whilst moving and installing the equipment.
- If being installed onto a wall, the product **MUST** be mounted onto a wall of a construction capable of supporting its weight and gameplay. If possible, avoid stud walls or unsupported portal infills. If in doubt always contact a suitably qualified surveyor to check.
- Visually check the product for any signs of damage, component failure and/or missing parts.
- To prevent electric shock, keep all electric components away from contact with water.
- Ensure to take anti-static precautions.
- Wear appropriate clothing: do not wear loose clothing or jewellery.
- Long hair should be tied back.
- Tidy back loose cables that could become a tripping hazard.
- Ensure that the playing area is clear.
- Immediately inform Rugged Interactive for maintenance advice if you have concerns.

#### Don'ts:

- Do not wear shoes with leather soles or high heels.
- Do not use any tools that are not specifically recommended by the manufacturer.
- Do not use the surface of the trampoline to balance ladders or alike.
- Do not distract others while they are installing the product.

## 2.2 In Play Safety Guidelines

Please ensure you read the following points before using the equipment:

**This activity can be great fun, but it can also be dangerous. There is a risk of serious injury if care is not taken when using the equipment. Use of this equipment is physically demanding: this is a high-impact, full body activity which requires intense focus, awareness of your body's strengths and limitations, awareness of the environment around you and extreme caution.**

### **Dos:**

- Before beginning any exercise program, it is recommended that you consult with your doctor.
- Children under the age of 7 years must always be supervised by an adult (over 16 years) when using the equipment and/or recommended accessories.
- Visually check the equipment before using it for any signs of damage, component failure or loose cables that could become a tripping hazard. Report any concerns, e.g. loose or damaged equipment, to a member of staff immediately.
- Ensure you familiarise yourself with any additional facility rules that may apply.
- Ensure that the play area in front of the equipment is clear before attempting to participate.
- Only participate if you are in good physical condition. Participate only within your capabilities / recommended exercise level.
- Wear appropriate clothing.
- Remove all items from your pockets prior to participation.
- Long hair should be tied back.
- Before use, loosen up with warm up exercises and stretches.
- Practice being in control of your bounce before using the equipment. Always remain in control. Uncontrolled jumps or falls are likely to result in injuries to yourself and/or others.
- Only those participating are allowed in the activity area. If waiting to participate, stand back at a safe distance from the equipment.
- Make sure you have control before leaving the trampolines, obstacles or activity equipment.
- Report any unusual or inappropriate behaviour to a member of staff immediately.
- If you get tired, leave the equipment / activity area and take a break.
- If you feel any pain, dizziness, nausea or any other abnormal symptoms, STOP YOUR WORKOUT IMMEDIATELY. Consult your doctor immediately. Incorrect or excessive training may lead to injuries.



**Don'ts:**

- No more than one active user on a single trampoline at any one time.
- Do not attempt to use any of the equipment without undertaking instruction / training carried out by an appropriate instructor.
- Do not participate if you are unwell or have any pre-existing medical conditions including heart, back, neck, bone and/or muscle conditions.
- Do NOT work to exhaustion.
- Do not participate if you are or maybe pregnant.
- Do not wear loose clothing or jewellery (including studs and watches). Clothing should not have any hard or sharp points (such as buckles, studs, toggles or alike).
- Do not wear shoes with leather soles, high heels, sandals, boots or bare feet.
- No food, drink or chewing gum during participation.
- No phones or cameras in the activity area.
- Do not leave clothing or personal belongings around the activity areas.
- Do not participate under the influence of alcohol and/or drugs.
- Do not attempt any move beyond your own skill level.
- Never attempt flips or other extreme moves unless you know you are capable and have had the appropriate training.
- No double flips, triple flips, diving or gainers, even if you are capable.
- Do not distract others while they are using the equipment.
- Do not attempt to catch anyone who may fall.
- Do not sit, lie, stand or rest under the activity equipment and/or surrounding padding/mats.
- Never lean on, jump on, climb, grab, or lift any safety pads or safety nets.
- Do not use any accessories that are not specifically recommended by the manufacturer. These might cause injuries or cause the equipment to fail.



## Rugged Interactive

Unit 1, Callywith Gate  
Callywith Industrial Estate, Bodmin  
Cornwall, UK  
PL31 2RQ

+44 (0) 1726 981 123

[www.rugged-interactive.co.uk](http://www.rugged-interactive.co.uk)

[hello@rugged-interactive.co.uk](mailto:hello@rugged-interactive.co.uk)

# Section 3 - Installation

---

## 3.1 - Parts List

Please check off the received parts for the installation and alert Rugged Interactive immediately if anything is missing.

- |  |                          |
|--|--------------------------|
| 2 x Targets. *   | <input type="checkbox"/> |
| 1 x Hub control box.   | <input type="checkbox"/> |
| 4 x Control box mounting brackets including 12 x M5 x 12mm screws. | <input type="checkbox"/> |
| 2 x 30m target connection cables. *                                | <input type="checkbox"/> |
| 1 x Start button including red 30m cable.                          | <input type="checkbox"/> |
| 8 x Bungs. *   | <input type="checkbox"/> |
| 8 x M12 x 80mm target fixing bolts. *                              | <input type="checkbox"/> |
| 8 x M12 Nyloc nuts. *  | <input type="checkbox"/> |
| 8 x M12 Washers. *   | <input type="checkbox"/> |
| Dodgeballs.  | <input type="checkbox"/> |
| Ball Pump.   | <input type="checkbox"/> |
| Manual.  | <input type="checkbox"/> |

\* Please note, quantities are for a two-target AeroStrike package, if a four-target package has been ordered, double these quantities.

## 3.2 - Tools and Components List

---

Arrange the necessary tools and the team to install the product.

- Ladder.
- Spirit level.
- Socket Set.
- Industrial vacuum cleaner.
- Dustpan and brush.
- SDS impact drill.
- Cordless drill – with torque adjuster to avoid over-tightening the screws.
- A set of No.2 Pozi bits.
- A set of screwdrivers.
- A set of Hex keys



**Rugged Interactive**

Unit 1, Callywith Court  
Callywith Industrial Estate, Bodmin  
Cornwall, UK  
PL31 2RQ

+44 (0) 1726 981 123

[www.rugged-interactive.co.uk](http://www.rugged-interactive.co.uk)

[hello@rugged-interactive.co.uk](mailto:hello@rugged-interactive.co.uk)

## 3.3 - Installation Overview

---

Below is an overview of the steps needed to install AeroStrike. More detail for the process is provided in the following pages. Please read through ALL of this prior to beginning the installation and if you are in any doubt, contact Rugged Interactive.

If you have any concerns on how or what the product is installed to, contact a structural engineer prior to beginning the installation.

**STEP 1:** Mount scoreboard.

**STEP 2:** Mount start button.

**STEP 3:** Run cable and connect start button.

**STEP 4:** Mount targets.

**STEP 5:** Attach cables between targets and scoreboard.

**STEP 6:** Turn on AeroStrike system.

**STEP 7:** Test.

**STEP 8:** Check all is secured.

**STEP 9:** Stress relief cables.

**STEP 10:** Enjoy AeroStrike!



## Rugged Interactive

Unit 1, Callywith Court  
Callywith Industrial Estate, Bodmin  
Cornwall, UK  
PL31 2RQ

+44 (0) 1726 981 123

[www.rugged-interactive.co.uk](http://www.rugged-interactive.co.uk)

[hello@rugged-interactive.co.uk](mailto:hello@rugged-interactive.co.uk)

## 3.4 – Detailed Installation

---

Read this manual before installing AeroStrike.

### Installation Guidelines:

- Complete the Site Survey form prior to delivery and/or installation.
- Send a completed Installation Checklist after any installation to Rugged Interactive.
- A typical installation should take 2 people about 3 hours.
- No obstructions or protrusions in the installation area: e.g. skirting boards, pipes, cables and wiring conduits.
- Avoid trapped and/or pinched cables.
- Use good practice when running data cables to and from products, external pods and sensors. Support long cables at least every 50 cm and provide adequate strain relief for connection points.
- To prevent electric shock, keep all electric components away from contact with water.
- IMPORTANT: Take anti-static precautions.

### Structure:

- AeroStrike is supplied with a minimum of two targets plus 1 x Hub display box and appropriate cables.
- The targets feature four mounting points.
- The targets feature hanging cables to connect back to the HUB/score box via supplied cable.
- The units must be mounted to a construction capable of supporting their weight and gameplay. (Uneven walls and structures make alignment and fitting very difficult.)
- Targets should be mounted to a steel or wooden framework. Please note, the targets protrude behind the mounting points.

### Fixings:

- The manufacturer will supply fixings.
- Use Rawl Plugs (plastic wall plugs) if mounted to a solid block or brick wall.
- All fixings must be tight and secure.

### Suggested Extras:

- 3 m of self-adhesive 'mini' box trunking to secure the power cable.
- Cleaning cloth and gentle cleaning spray.

**Operating Environment:**

- Keep out of direct sunlight.
- Keep indoors and dry.
- Optimum ambient temperature: 5°C to 30°C. Avoid extreme fluctuations of temperature.

**Other Recommendations:**

- Instruction / training carried out by an appropriate instructor to all new users.
- A waiting / spectating area positioned nearby is advised.

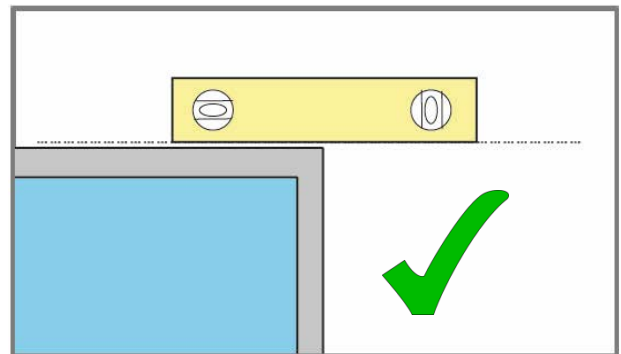
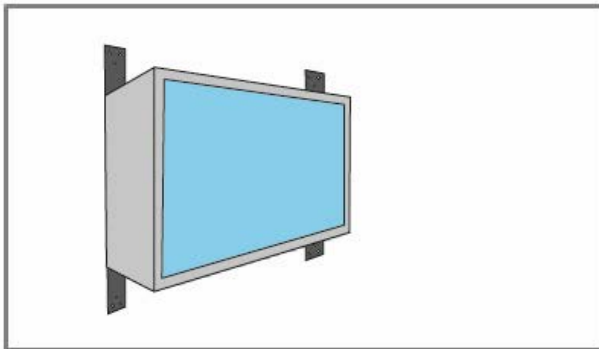
**IF YOU ARE IN ANY DOUBT, CALL RUGGED INTERACTIVE DIRECTLY ON +44 (0) 1726 833 882.**

## AeroStrike Display / Score Box (HUB) Installation

### Notes:

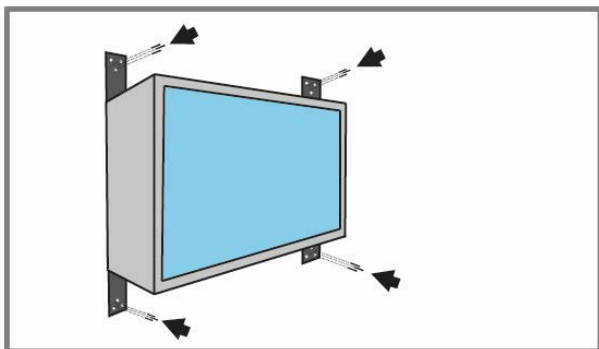
- Fix HUB using any suitable self-tapping or wood screws into the surface material. The HUB can be recessed to be flush with the surface or affixed on top of the foam-backed vinyl if necessary.
- A central position is recommended for easy comparison of scores.
- **Note:** Cables exit is at the rear of the display box as standard, however this can be adjusted, if necessary, by removing the pop out on the bottom edge and sliding the cables and rubber grommet around to the new position.

01



Hold the main body in place, and ensure it is level.

02



**Note:** Make sure everything is tight and secure and that no cables are trapped.

Use appropriate fixings and mount the display box to the wall.

## AeroStrike Start Button Installation

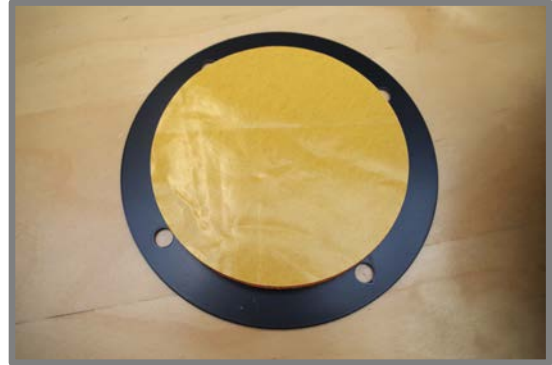
### Notes:

- Fix the Start Button as per the instructions below.
- Fix to a pre-padded pole.
- A position next to the entrance of the AeroStrike arena is recommended for ease of use.

01

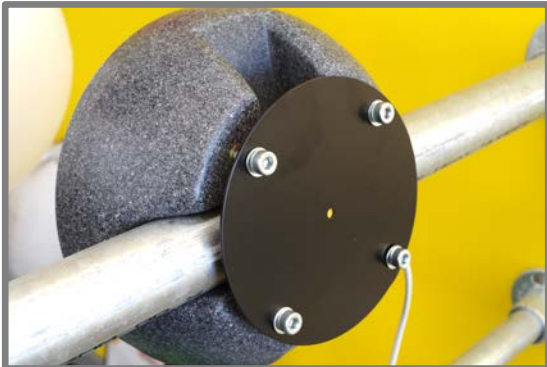


Position pod on the exposed pole in the desired orientation.



Remove cover from adhesive pad and align to the rear of the pod.

02



Attach bolts and tighten until firmly in place.



03

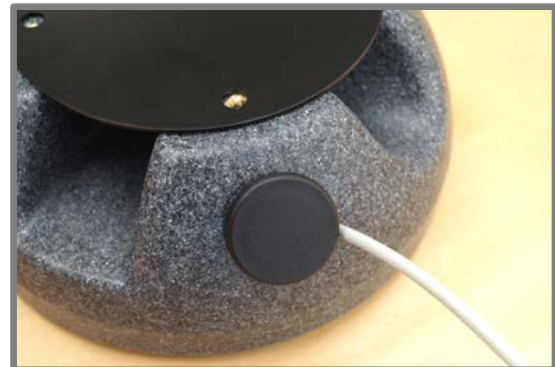


Connect appropriate length CAT5 cable to the start button's hanging cable that will return to the control box. The start button must be within 10m of the control box.

04



Tuck the hanging cable and head of the CAT5 cable inside the recess in the moulding. Cable excess can be fed into this recess too.



Push the supplied stopper into the hole being sure the cable is sitting in the small recess to the side of the main hole.

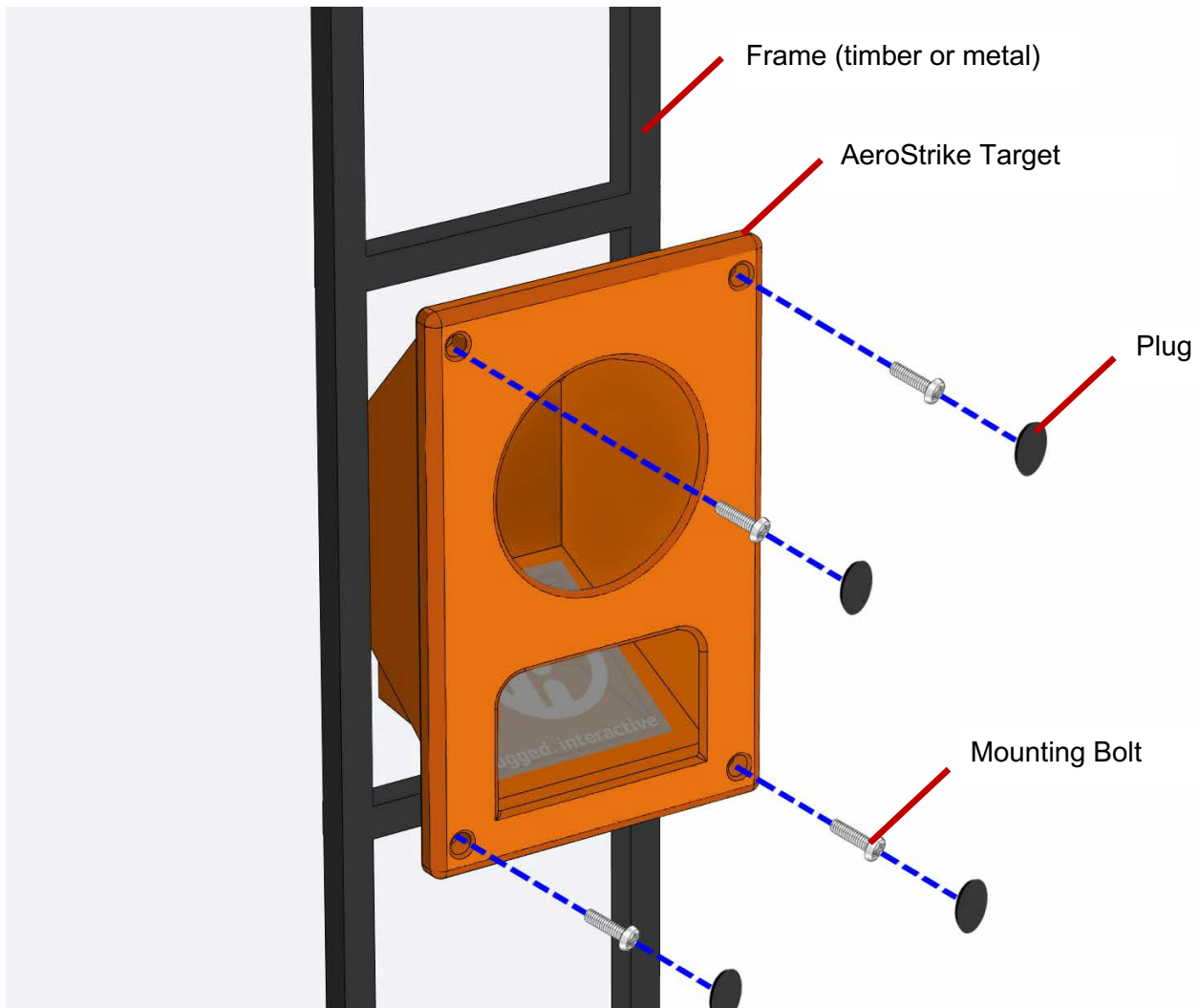
05



Ensure all fixings are secure and all cables are tidy. Add padding to poles as appropriate.

### **AeroStrike Target Installation**

The AeroStrike targets should be mounted onto a wall or frame (timber/metal) using suitable screws or bolts (M12 bolts with nuts and washers supplied). Figure 2.1 shows a typical AeroStrike target installation.



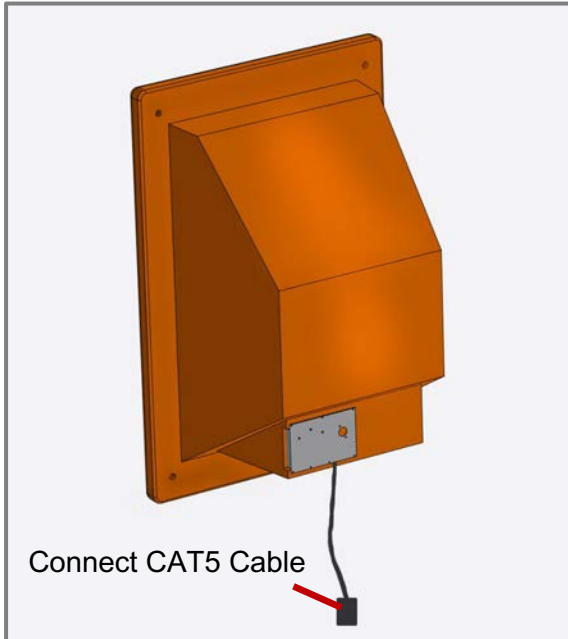
**Figure 3.4.1:** Typical AeroStrike Target Installation

## AeroStrike Targets to Score Box (HUB) Installation

### Notes:

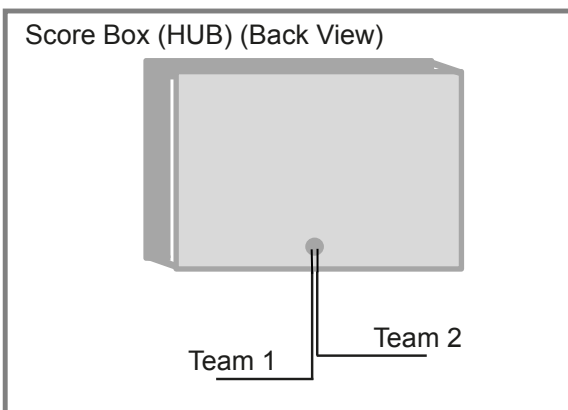
- Attach correctly the supplied CAT5 cables from the targets to the designated output cables from the HUB.
- Make sure the RJ45 connector is clear from dust and debris and do not force the CAT5 Cable into it.

01



Connect the CAT5 cables from the targets to the Score Box (HUB). The targets will have hanging cables to connect the CAT5 Cables to.

02



The Hub will have hanging cables labelled for the start button and for each target.

Attach CAT5 cables from each target to the connectors at the back of the Score Box (HUB).

**NOTE:** Please use good practice when running data cables to and from products, targets and boxes. Support long cables at least every 50 cm and provide adequate strain relief for connection points.



## Rugged Interactive

Unit 1, Callywith Court  
Callywith Industrial Estate, Bodmin  
Cornwall, UK  
PL31 2RQ

+44 (0) 1726 981 123

[www.rugged-interactive.co.uk](http://www.rugged-interactive.co.uk)

[hello@rugged-interactive.co.uk](mailto:hello@rugged-interactive.co.uk)

## Section 4 - How to Use

---

On power up, AeroStrike will sound a 'laugh' and will turn to its idle state.

AeroStrike (Game / Program) – Battle, 2 minutes

Game Rules:

The objective of AeroStrike is to score points by throwing the game ball into the opposing player/team's targets. One (1) point is earned for any target hit.

The game area is split into 2 even halves with a barrier on the centre line. The barrier is of a set height where the player must bounce high enough to throw the ball over the barrier and into the target.

Each game lasts for 2 minutes. Try to throw the ball into the opponents' targets as many times as possible to build up your score.

The player/team to score the most points wins.

How to Use:

Hit the start button to start the game.

Throw game balls into targets to score points.

Defend your own target.

At the end of the game, the winning score will flash on the score box.

NOTE: At any time, if AeroStrike behaves unexpectedly, wait for at least 1 minute for the unit to reset to its idle state.



## Rugged Interactive

Unit 1, Callywith Gate  
Callywith Industrial Estate, Bodmin  
Cornwall, UK  
PL31 2RQ

+44 (0) 1726 981 123

[www.rugged-interactive.co.uk](http://www.rugged-interactive.co.uk)

[hello@rugged-interactive.co.uk](mailto:hello@rugged-interactive.co.uk)

# Section 5 - Programs Guide

---

## AeroStrike

- Summary:** This game includes hand/eye coordination, building quick reflexes, learning to catch and throw the ball, while building a competitive spirit.
- Gameplay:** Upon pressing the start button the starting sound will be heard and the internal LEDs on the targets will glow. Every time a point is scored, the LEDs will turn off briefly, a sound will be heard and the score box will register the hit. At the end of the game the winning score flashes.
- Aim:** To throw the ball into the opponent's target as many times as possible within the given time limit.
- Scoring system:** +1 point for each target hit.
- Duration:** 2 minutes

**NOTE:** At any time, if AeroStrike behaves unexpectedly during gameplay, wait for at least 20 seconds for the unit to reset to its idle state.



rugged. interactive

**Rugged Interactive**

Unit 1, Callywith Court  
Callywith Industrial Estate,  
Bodmin, Cornwall, UK  
PL31 2RQ

+44 (0) 1726 981 123

[www.rugged-interactive.co.uk](http://www.rugged-interactive.co.uk)

[hello@rugged-interactive.co.uk](mailto:hello@rugged-interactive.co.uk)

## AeroStrike System Specifications

### Dimensions and Weights:

	Approx. Shipment Details		Fully Assembled Details	
	Size (mm)	Weight	Size (mm)	Weight
<b>AeroStrike</b> ( <i>single target</i> )	-	-	1000 x 650 x 450	13 kg
<b>Display / Score Box (HUB)</b> ( <i>single unit</i> )	-	-	850 x 586 x 70	8 kg

### Power Supply:

AC: 110-230V, 50-60Hz, 13A

### Warranty:

1 year on electronics. 3 years on all other parts.

### Regulatory Requirements:

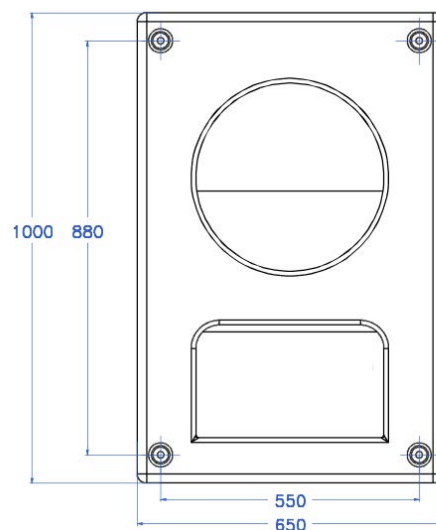
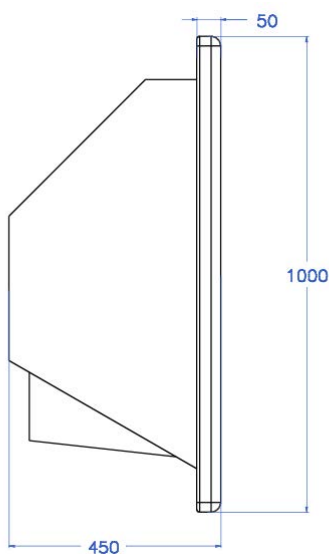
CE Approved.

### Operating Environment:

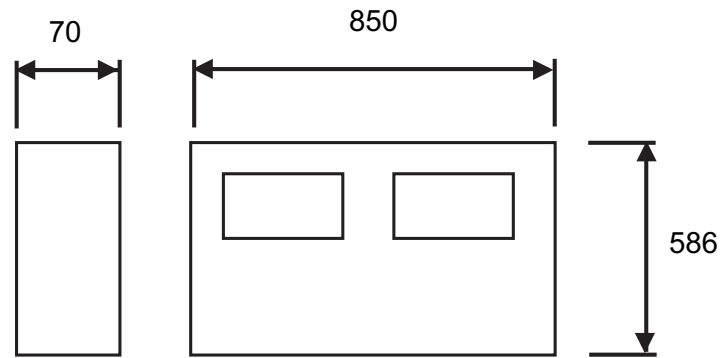
Indoors: keep dry and out of direct sunlight.

Mount to a framework or structure of a suitable construction.

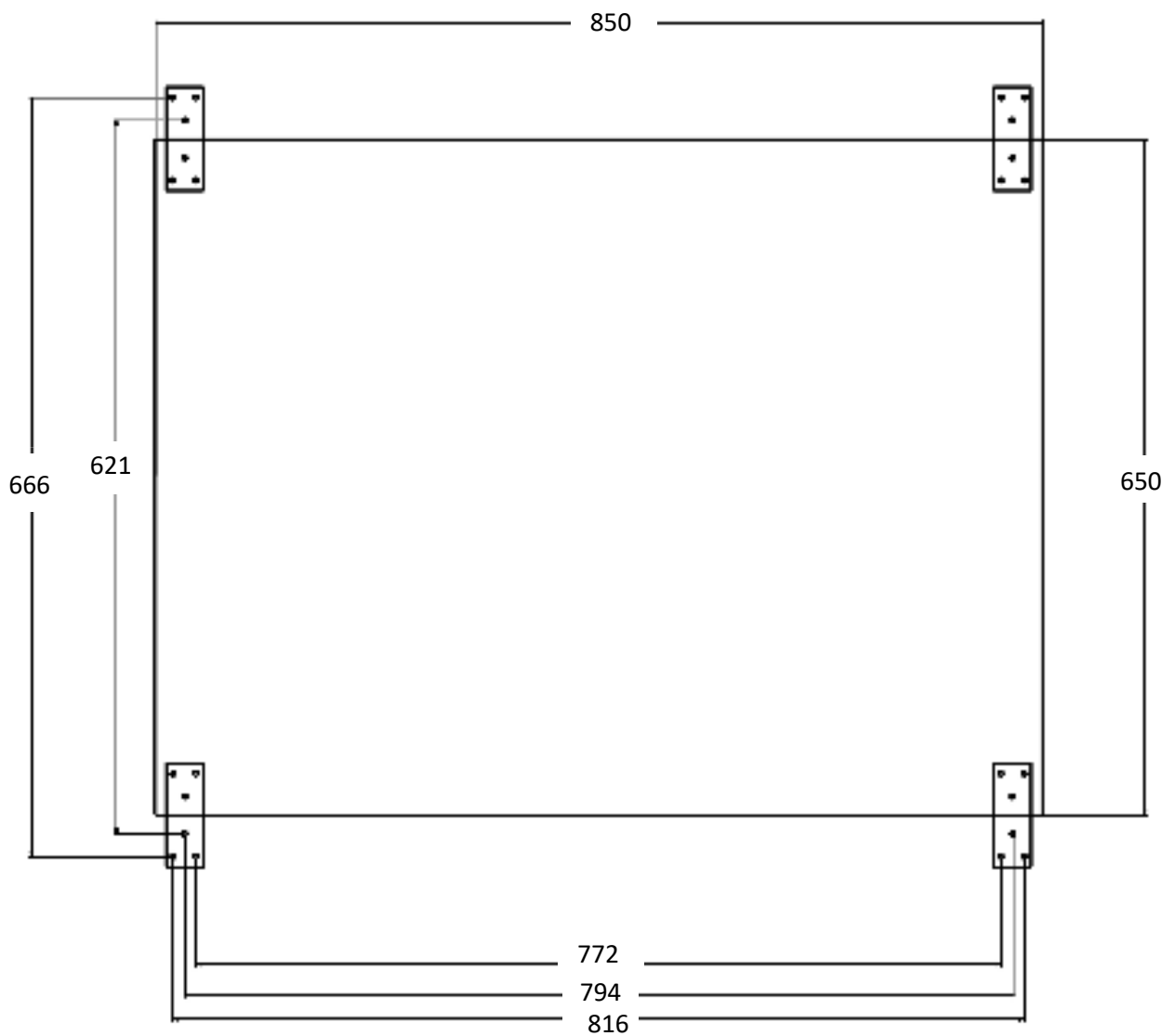
Optimum ambient temperature: 5°C to 30°C. Avoid extreme temperature fluctuation.



Target (*Dimensions in mm*)



Score Box (HUB) (Dimensions in mm)



Mounting Points for Score Box (Dimensions in mm)



## ■ Features

- Universal AC input / Full range
- 2 pole AC inlet IEC320-C8
- Medical safety approved (2 x MOPP between primary to secondary)
- Suitable for BF application with appropriate system consideration
- Low leakage current <50uA
- No load power consumption<0.1W
- Energy efficiency level VI(Except 5~9V for Level V)
- Comply with EISA 2007/DoE,NRCan, AU/NZ MEPS, EU ErP and meet CoC Version 5
- Built-in active PFC function
- High efficiency up to 91.5%
- Fanless design with -30~+60°C working temperature
- Class II power (without earth pin)
- Protections: Short circuit / Overload / Over voltage / Over temperature
- Fully enclosed plastic case
- LED indicator for power on
- 100% full load burn-in test





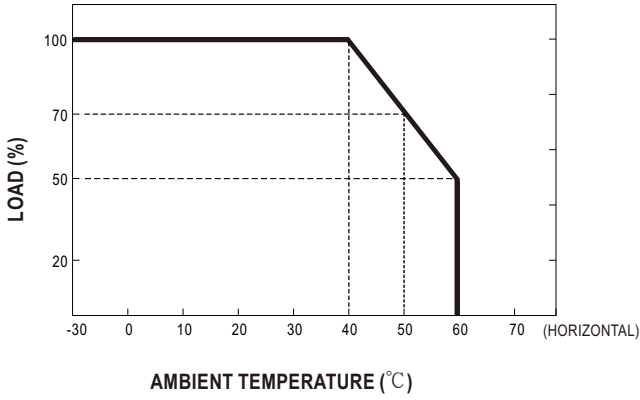
# Power Supply Specification

## SPECIFICATION

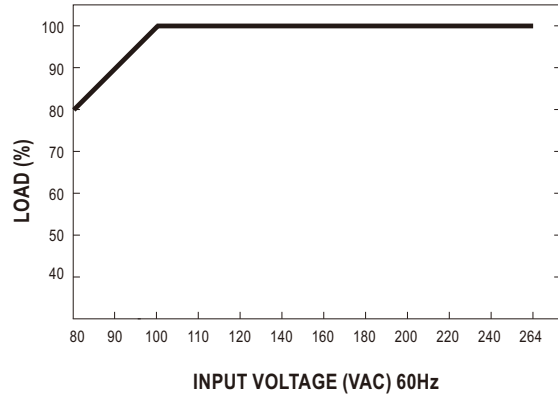
<b>PRODUCT</b>		<b>GSM60B12-P1J</b>	
<b>OUTPUT</b>	<b>SAFETY MODEL NO.</b>	GSM60B12	
	<b>DC VOLTAGE</b> <small>Note.2</small>	12V	
	<b>RATED CURRENT</b>	5A	
	<b>CURRENT RANGE</b>	0 ~ 5A	
	<b>RATED POWER (max.)</b>	60W	
	<b>RIPPLE &amp; NOISE (max.)</b> <small>Note.3</small>	100mVp-p	
	<b>VOLTAGE TOLERANCE</b> <small>Note.4</small>	± 3.0%	
	<b>LINE REGULATION</b> <small>Note.5</small>	± 1.0%	
	<b>LOAD REGULATION</b>	± 3.0%	
	<b>SETUP, RISE TIME</b> <small>Note.6</small>	1000ms, 30ms / 230VAC      1500ms, 30ms / 115VAC at full load	
<b>HOLD UP TIME (Typ.)</b>	50ms / 230VAC      15ms / 115VAC at full load		
<b>INPUT</b>	<b>VOLTAGE RANGE</b> <small>Note.7</small>	80 ~ 264VAC    120 ~ 370VDC	
	<b>FREQUENCY RANGE</b>	47 ~ 63Hz	
	<b>EFFICIENCY (Typ.)</b>	88%	
	<b>AC CURRENT (Typ.)</b>	1.4A / 115VAC    1A / 230VAC	
	<b>INRUSH CURRENT (Typ.)</b>	30A / 115VAC    65A / 230VAC	
	<b>LEAKAGE CURRENT(max.)</b>	Touch current < 50µA/264VAC	
<b>PROTECTION</b>	<b>OVERLOAD</b>	105 ~ 160% rated output power Protection type : Hiccup mode, recovers automatically after fault condition is removed	
	<b>OVER VOLTAGE</b>	12.6 ~ 16.2V Protection type : Shut down o/p voltage, re-power on to recover	
	<b>OVER TEMPERATURE</b>	Shut down o/p voltage, re-power on to recover	
<b>ENVIRONMENT</b>	<b>WORKING TEMP.</b>	-30 ~ +60°C (Refer to "Derating Curve")	
	<b>WORKING HUMIDITY</b>	20% ~ 90% RH non-condensing	
	<b>STORAGE TEMP., HUMIDITY</b>	-40 ~ +85°C, 10 ~ 95% RH	
	<b>TEMP. COEFFICIENT</b>	± 0.03% / °C (0 ~ 40°C)	
	<b>VIBRATION</b>	10 ~ 500Hz, 2G 10min./1cycle, period for 60min. each along X, Y, Z axes	
<b>SAFETY &amp; EMC (Note. 8)</b>	<b>SAFETY STANDARDS</b>	ANSI/AAMI ES60601-1 / ES60601-1-11, TUV EN60601-1 / 60601-1-11 approved	
	<b>ISOLATION LEVEL</b>	Primary-Secondary: 2xMOPP	
	<b>WITHSTAND VOLTAGE</b>	I/P-O/P:4KVAC	
	<b>ISOLATION RESISTANCE</b>	I/P-O/P:100M Ohms / 500VDC / 25°C / 70% RH	
	<b>EMC EMISSION</b>	Compliance to EN55011(CISPR11) class B, EN61000-3-2,3, FCC PART 15 class B,CAN ICES-3(B)/NMB-3(B)	
	<b>EMC IMMUNITY</b>	Compliance to EN61000-4-2,3,4,5,6,8,11, EN55024, EN60601-1-2, EN61204-3 medical level, criteria A	
<b>OTHERS</b>	<b>MTBF</b>	720K hrs min. MIL-HDBK-217F(25°C)	
	<b>DIMENSION</b>	125*50*31.5mm (L*W*H)	
	<b>PACKING</b>	0.32Kg; 40pcs/13.8Kg/1.05CUFT	
<b>CONNECTOR</b>	<b>PLUG</b>	See page 3 ; Other type available by customer requested	
	<b>CABLE</b>	See page 3 ; Other type available by customer requested	
<b>NOTE</b>	<ol style="list-style-type: none"> <li>All parameters are specified at 230VAC input, rated load, 25°C 70% RH ambient.</li> <li>DC voltage: The output voltage set at point measure by plug terminal &amp; 50% load.</li> <li>Ripple &amp; noise are measured at 20MHz by using a 12" twisted pair terminated with a 0.1uf &amp; 47uf capacitor.</li> <li>Tolerance: includes set up tolerance, line regulation, load regulation.</li> <li>Line regulation is measured from low line to high line at rated load.</li> <li>Length of set up time is measured at first cold start. Turning ON/OFF the power supply may lead to increase of the set up time.</li> <li>Derating may be needed under low input voltages. Pleas check the derating curve for more details.</li> <li>The power supply is considered as an independent unit, but the final equipment still need to re-confirm that the whole system complies with the EMC directives. For guidance on how to perform these EMC tests, please refer to "EMI testing of component power supplies." (as available on <a href="http://www.meanwell.com">http://www.meanwell.com</a>)</li> </ol>		



## Derating Curve

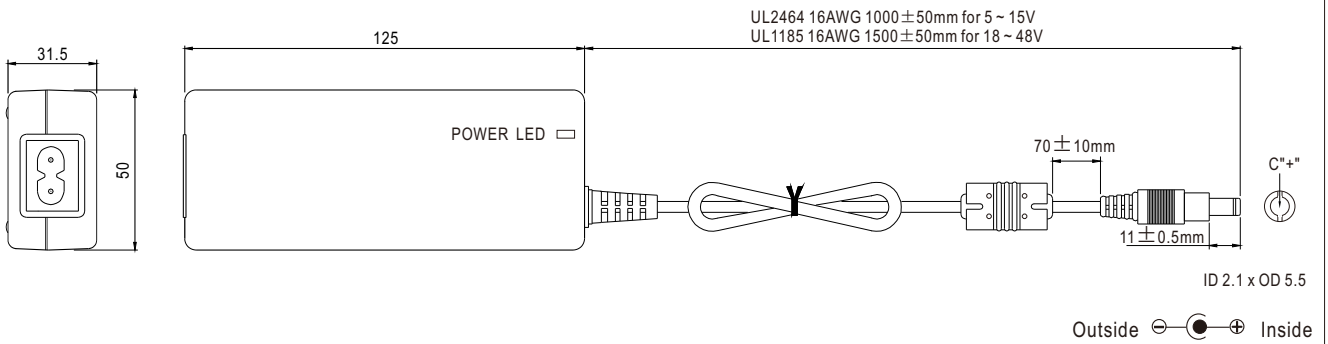


## Static Characteristics



## Mechanical Specification

Case No. GSM60B Unit:mm



## Plug Assignment

Standard plug: P1J

P1J	
P/N	OUTPUT
CENTER	+



## AeroStrike Installation Checklist

---

Please complete this checklist after any installation:

### Check 1: Pre-power up checks.

- Mounted into a wall or framework of a construction capable of supporting its weight and gameplay.
- All fixings are tight and secure.
- No signs of damage, component failure and/or missing parts.
- No trapped and/or pinched cables.
- No loose cables that could become a tripping hazard.
- All long cables are supported at least every 50 cm.
- Adequate strain relief provided for connection points.
- Kept out of direct sunlight during the day.
- All electric components away from contact with water.
- Any protective elements for transportation removed.

### Check 2: Power up.

- All panels light up.
- Text appears on the hub display and is as expected. *E.g. timers*
- Sound volume is at a suitable level\*.

### Check 3: Press the Start button.

- A 3-2-1 countdown is heard, and game begins.
- Targets flash when ball is thrown into target.
- Sounds can be heard when the target is hit.
- Scoreboard registers hits on display.
- Program plays as described in the Programs Guide.

### Check 4: Ready for use.

- Play area is clear.
- Instruction / training carried out by an appropriate instructor to all new users.

**If anything unexpected occurs or problems persist after troubleshooting, call Rugged Interactive directly on +44 (0) 1726 833 882.**

\* The volume can be adjusted on the score box. The volume control can be seen on the bottom edge of the score box. Rotate clockwise for volume up, counter-clockwise for volume down.



## Rugged Interactive

Unit 1, Callywith Gate  
Callywith Industrial Estate, Bodmin  
Cornwall, UK  
PL31 2RQ

+44 (0) 1726 981 123

[www.rugged-interactive.co.uk](http://www.rugged-interactive.co.uk)

[hello@rugged-interactive.co.uk](mailto:hello@rugged-interactive.co.uk)

## Next Steps

---

### Train team members

Train your team members on how to use AeroStrike, having knowledge of the gameplay will help them encourage users. Inspire them to cheer and celebrate with the customers when they achieve high scores.

### Maintenance

General care and maintenance procedures for your Rugged Interactive product.

1. Inspect the product daily for any signs of damage or loose components. Repair or tighten as applicable.
2. Turn on the product, check the LEDs and sound is working as expected.
3. Start a game, check all pods/sensors work and react as expected. Please refer to the manual for instructions on gameplay.
4. If a pod has seven (7) or fewer working LEDs, we recommend replacing the pod. (only applicable for CardioWalls)
5. We suggest non-solvent glass cleaning spray, avoid spraying directly onto the pods. Use a non-abrasive microfibre cloth and extremely light pressure when wiping the product. Too much pressure will scratch the graphics panel.
6. Only use accessories recommended by the manufacturer with the products. Accessories not recommended could cause serious damage.
7. Every three months check the fixings are tight.
8. Once a year, check the structure supporting the product is still solid.
9. We recommend turning the products off when they are not in use (close of business), this will help to extend the life of the product.

### Marketing

With this being such an eye-catching product, it is excellent for use in posts on social media, either featuring in photos or videos.

If you would like any help, guidance or examples of using this product in your marketing campaign, please contact Rugged Interactive and we will be able to assist with this.



## Rugged Interactive

Unit 1, Callywith Gate  
Callywith Industrial Estate, Bodmin  
Cornwall, UK  
PL31 2RQ

+44 (0) 1726 981 123

[www.rugged-interactive.co.uk](http://www.rugged-interactive.co.uk)

[hello@rugged-interactive.co.uk](mailto:hello@rugged-interactive.co.uk)

# Congratulations!

---

**Congratulations on your new Rugged Interactive product! Your customers are going to love this, and it is a great addition to your venue!**

If there is anything we can assist with or if you would be interested in information about any other Rugged Interactive products, then please do not hesitate to get in contact.